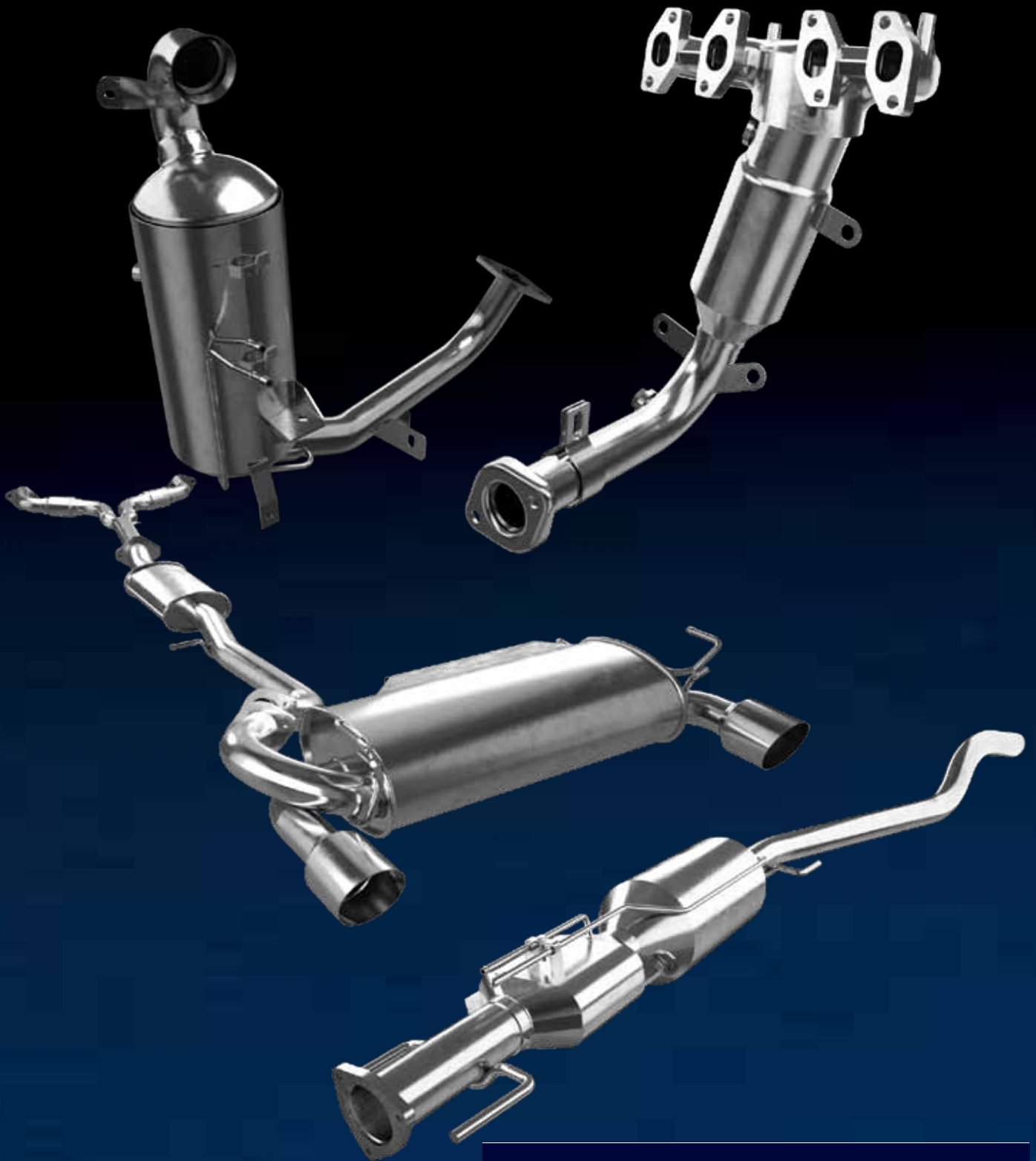


Emission Control Products

Design | Manufacture | Supply



Klarius™



Klarius
manufacture a full
range of emissions
solutions and are
'Type Approved' to
meet or exceed OE
performance.

About Us

Klarius Products is the leading European manufacturer of emission control products for cars and light commercial vehicles.

A dedication to manufacturing quality, combined with a flexible stock and logistics policy, plus a prolific new-to-range output sets us apart as a premier supplier to the automotive aftermarket.

We are customer focussed and service driven, taking every opportunity to understand our customers' businesses and what they require to increase their customer service and profitability. Ultimately we help to ensure the end user receives what they want from an availability, fit, quality and price perspective.



The Klarius HQ is a 5.6 hectare site with 46,500 sq. m of factory space, incorporating an R&D centre, sales and management offices, manufacturing and test fitting facility, plus a VCA approved test track.

Exhausts

Our range of exhausts is manufactured from top quality aluminised steel for an optimum balance between quality, dimensional accuracy, corrosion resistance and cost effectiveness.

We are the only European manufacturer to type-approve our products, via the UK Vehicle Certification Agency (VCA), using our own onsite test track in order to meet noise regulations.

We also measure system back pressure and mount every design to the corresponding vehicle to ensure every model fits first time.

Klarius exhaust systems have been independently tested and shown to deliver 3% fuel saving compared to other aftermarket products by the Emission Test Facility UK based in Longbridge.

- **Top quality materials**
- **VCA Type-approval**
- **Fit first time guarantee**
- **Up to 3% fuel saving**
- **2 Year warranty**



CATs

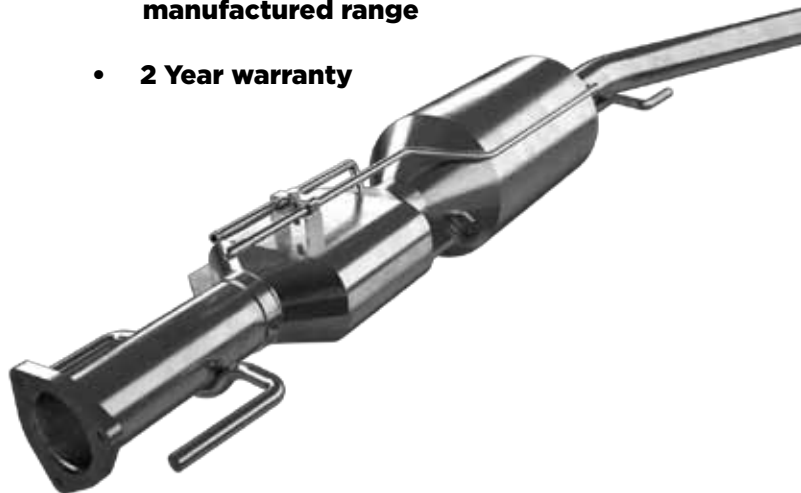
Catalytic converters from Klarius are guaranteed for two years, if they are fitted correctly and not exposed to conditions outside of their design envelope they are a fit and forget product.

The performance quality of a CAT, whether it is a standalone replacement item or a combined CAT / DPF unit (as found on some diesel vehicles), is dependent on the quality of the ceramic monolith and the amount of precious metal deposited within it.

The active coating, usually a combination of platinum group metals, is optimised within every Klarius CAT, providing the surface for the chemical reaction to happen, which in-turn reduces the level of harmful emissions.

Klarius CATs are type approved, individually marked and guaranteed to perform as the vehicle OEM intended.

- **Fully Type-approved**
- **Top quality monoliths**
- **Optimum metal coating**
- **Fit first time guarantee**
- **Largest European manufactured range**
- **2 Year warranty**



DPFs

Diesel Particulate Filters experience a tough operating life, having to withstand repeated high temperature 'burn' cycles to clear soot deposits. Some are doused in chemicals to start the reaction, and all have to remove hot, caustic particulates from exhaust gases.

Klarius DPFs are designed and tested to the highest quality standards, to provide OE levels of performance while still achieving a price point that allows the aftermarket to flourish in supplying these components.

We are constantly adding to our type-approved range of DPFs, reacting quickly to market demand and using our flexible R&D and manufacturing facilities to match our supply closely to market demands.

- **Fully Type-approved**
- **Top quality filter matrix**
- **Combination CAT / DPFs**
- **Complete kits for popular applications**
- **Designed & manufactured in Europe**



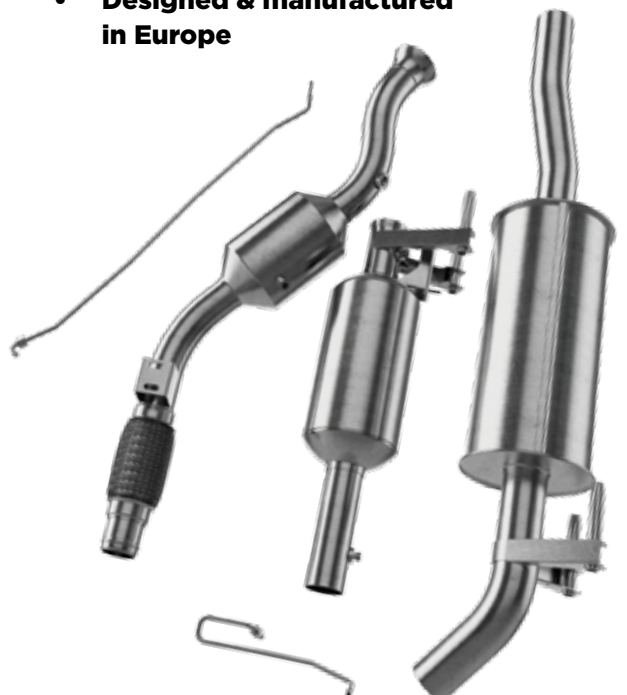
Mounts & Kits

Mounting components are the often forgotten final stage to an effective exhaust replacement task. Every exhaust needs to be supported, so Klarius offers a comprehensive range of mountings, one for every exhaust in the range.

As a manufacturer, Klarius is also able to offer complete kits for specific vehicle applications; from Mercedes Sprinter vans to BMW Compact race cars, Klarius has designed, manufactured and assembled a range of kit solutions. Many are available as single part references for ease of ordering.

Klarius can also create kits on demand; to include complete exhaust pipes, mufflers, flanges, CATs, DPFs, Lambda sensors, lambda connection pipes, fixing paste, flexible joints and mounts.

- **Mounting kits for all exhausts**
- **Single part reference kits**
- **Custom application kits**
- **Kit design, stock & supply**
- **Fixes for OE issues**
- **Designed & manufactured in Europe**



Culture of innovation

Klarius exhausts, CATs and DPFs are designed, manufactured and tested to exacting standards. This is made possible because Klarius listens to our customers and reacts quickly.



Our R&D and production teams can design, test, approve and manufacture products in small batches economically, allowing us to manufacture just what the market needs. It also allows us the rapid and frequent introduction of new products



“First to market with new products”



Training

Klarius also offers comprehensive training days for both office and garage technicians, tailored to your requirements we can cover everything from the basics of emission control to stock profiling, order systems and even fitting tutorials.





Over 10,000 references are available from stock daily – the Klarius range has the European vehicle parc covered!

Improved performance, low noise, and long life guaranteed.

Range & availability

The large number of product lines available direct from stock is significant for us because it means we have succeeded in a whole host of manufacturing and organisational goals. The net result for our customers is that it means they can order what they want, when they want it and rely on the fact that it is available direct from us, the manufacturer.

Being able to rely on your supplier means that you have to retain less buffer stock, so companies that stock Klarius exhausts can operate more efficiently, taking up less space in their own stock and distribution centres yet still meet the delivery demands of their own customers.

Our central warehouse stock covers over 98% of the European aftermarket and is available same day dispatch around the globe.

Klarius manufactures a range of quality replacement emission control products for the Aftermarket. Offering over 10,000 part references from stock, including; exhausts, catalytic converters, diesel particulate filters, product kits and mountings.



Klarius Products Ltd

Brookhouses Industrial Estate
New Haden Road
Cheadle
Stoke on Trent
ST10 1UF

Phone: + 44 (0)1538 752 561

Fax: +44 (0)1538 751 915

Email: cs.team@klarius.eu



www.klarius.eu

Products available on

